

QUESTIONS OR CONCERNS CONTACT CANARM AT:

1-800-265-1833 (English) 1-800-567-2513 (French) Monday through Friday 8:00 AM to 5:00 PM E.S.T.



INSTRUCTIONS PERTAINING TO RISK OF FIRE OR INJURY TO PERSONS  
READ ALL INSTRUCTIONS

## IMPORTANT SAFETY INSTRUCTIONS

### SAVE THESE INSTRUCTIONS

### TOOLS AND MATERIALS REQUIRED:



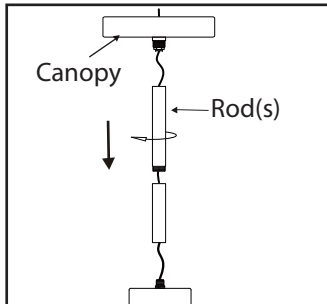
Wiring supplies as required by the Canadian Electrical Code and/or the Quebec Electrical code

### SAFETY PRECAUTIONS:

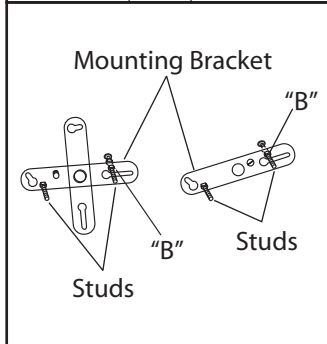
1. TURN OFF ELECTRICAL POWER BEFORE STARTING INSTALLATION OF LIGHT FIXTURE.
2. THIS PRODUCT MUST BE INSTALLED IN ACCORDANCE WITH THE APPLICABLE INSTALLATION CODE BY A PERSON FAMILIAR WITH THE CONSTRUCTION AND OPERATION OF THE PRODUCT AND THE HAZARDS INVOLVED.
3. CONNECT THE GROUND WIRES (BARE COPPER OR GREEN) FROM YOUR FIXTURE TO THE GROUND WIRE (BARE COPPER OR GREEN) OR GROUND SCREW IN THE ELECTRICAL OUTLET BOX.

**NOTE: Product May Not Look Exactly As Shown In Figures.**

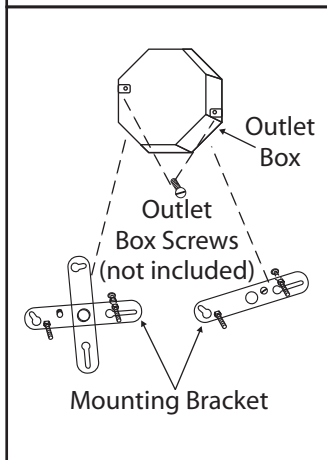
### INSTALLATION:



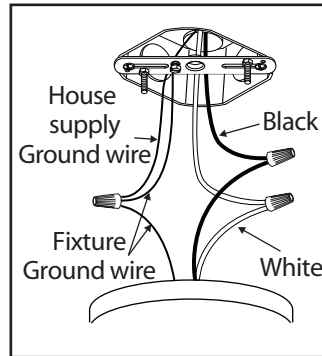
1. Install the length of rod(s) that is required by threading wire through the rod(s) and screwing it to the fixture.



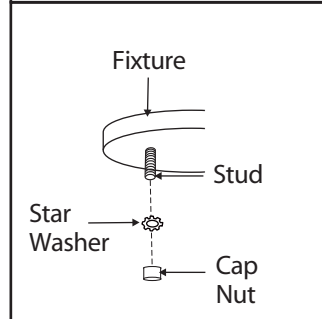
2. **NOTE:** Refer to the style of assembly that matches the style of your fixture. Loosen "B". Adjust stud to desired length and lock in place with "B".



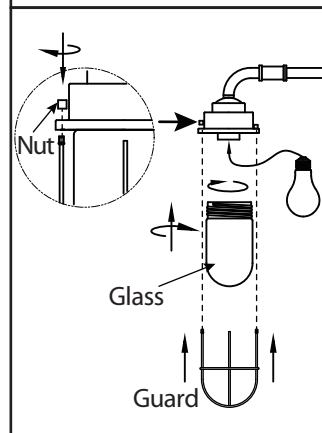
3. Mount the mounting bracket to outlet box using outlet box screws (not included). Make sure the studs or nipple on the mounting bracket are facing out from the outlet box.



4. Connect the ground wires (bare copper or green) from your fixture to the ground wires (bare copper or green) or ground screw in the electrical outlet box. Connect black wire from fixture to black wire in outlet box and connect the white wire from fixture to white wire in outlet box.



5. Tuck electrical wires into outlet box and position fixture over studs on mounting bracket assembly. Secure fixture in place with star washers and cap nuts.



6. Install the proper bulb type and wattage (not included).
7. Screw glass cylinder on to the fixture.
8. Install the guard with the nuts.